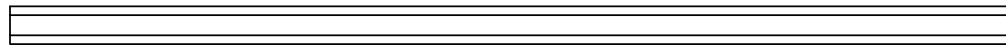
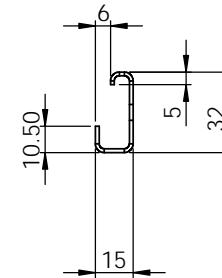
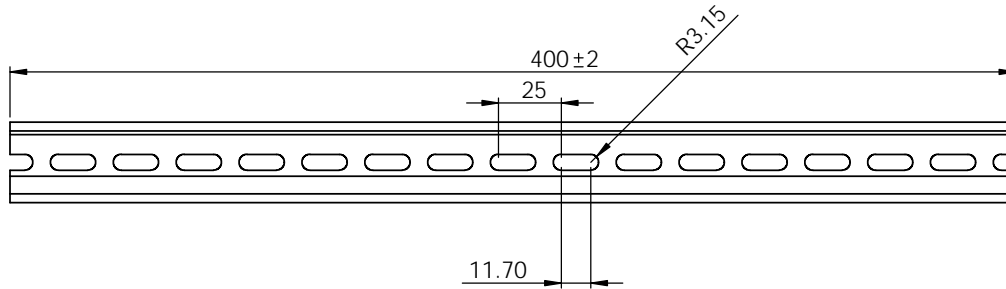
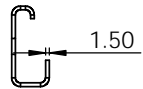
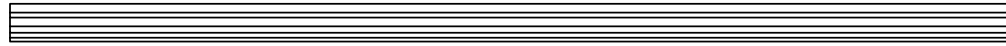
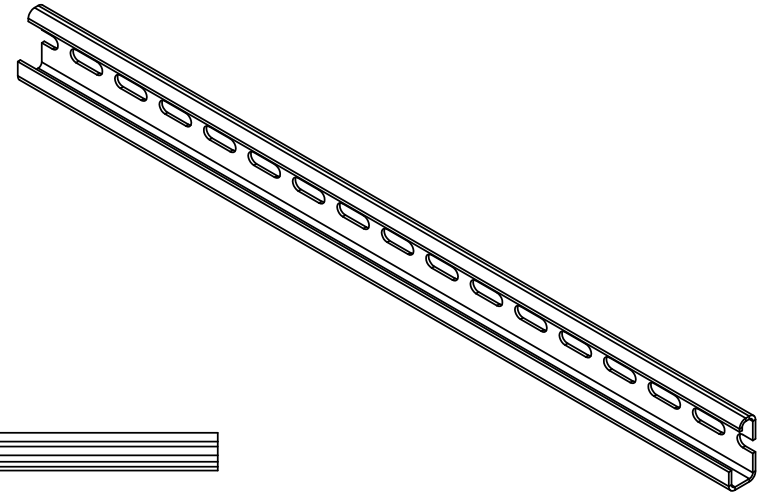


EN60715 TS32 DIN RAIL



Note:
 1. No sharp edges.
 2. RoHS: Manufacturer must ensure that all components used must comply with RoHS Regulation.

Industrial Automation & Enclosures
 A leading developer of industrial rackmount products
 TEL:(516)997-5050 FAX:(516)997-5784
 ©2016 IAE Inc /www.iaenclosures.com

PROJECT NO.	EN60715-TS320-400	DRAWN		MATERIAL	1.5mm Gauge	UNSPECIFIED TOLERANCES: ±0.15
MODEL	67814	APPV'D		FINISH	zinc	
PART NO.	67814	DATE	4/18/2016	SCALE	1:5	SHEET 1 OF 1
PART NAME	TS32 400mm DIN Rail	REVISION	V 1.0	PROJECTION	Third Angle	UNIT:mm

CONFIDENTIAL DOCUMENT DO NOT COPY